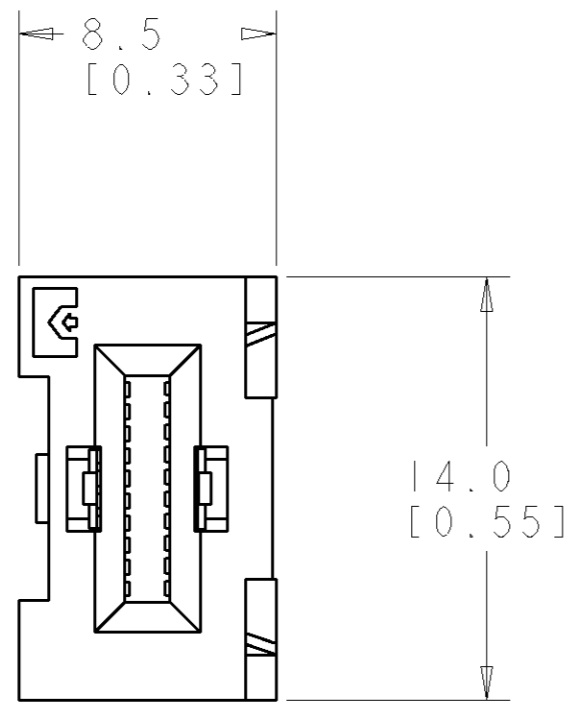


THIS DRAWING IS UNPUBLISHED. RELEASED FOR PUBLICATION 20  
 © COPYRIGHT 20 BY TYCO ELECTRONICS CORPORATION. ALL RIGHTS RESERVED.

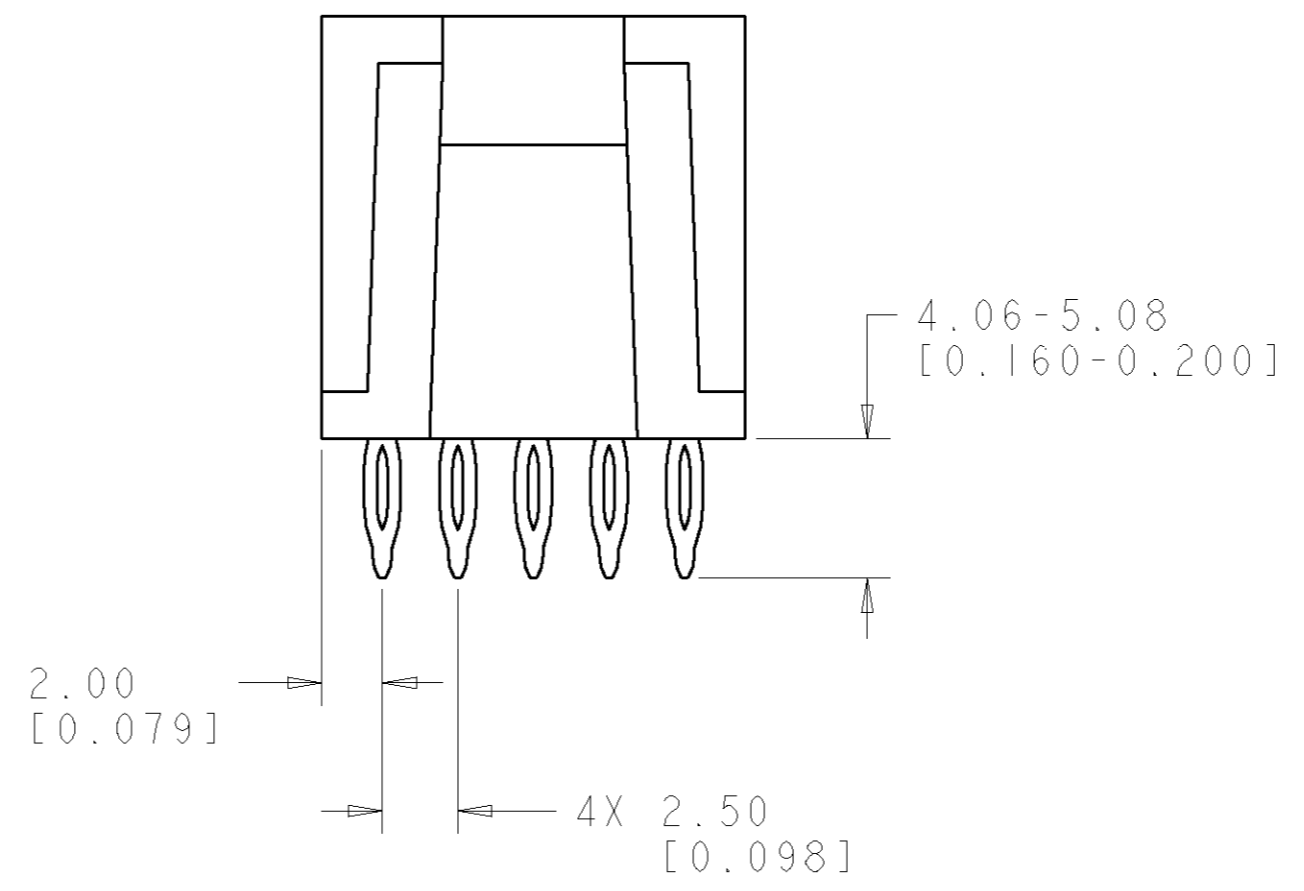
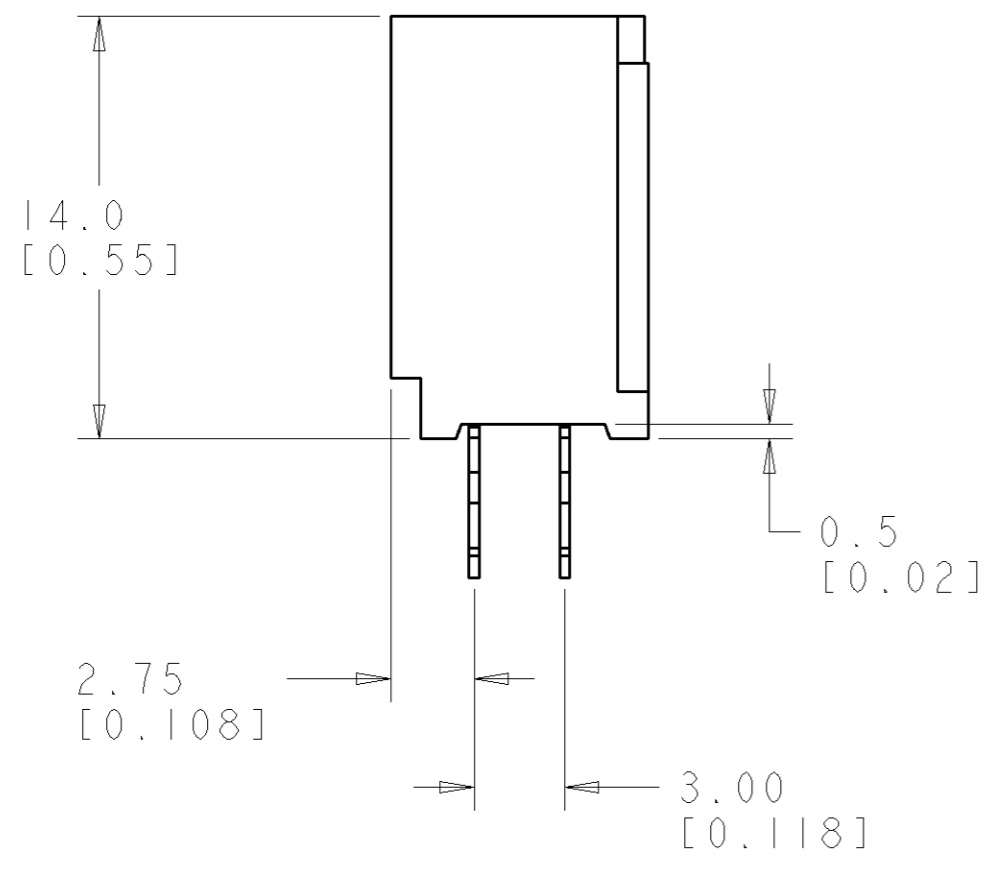
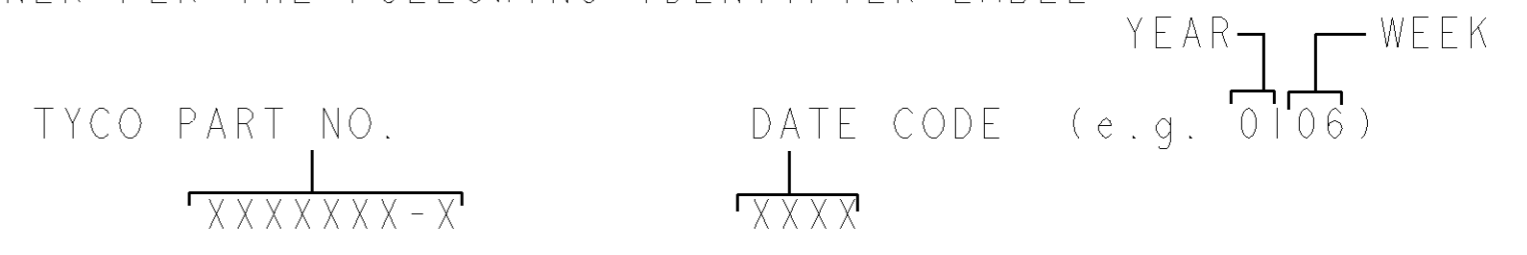
LOC	DIST	REVISIONS					
GP	00	P	LTR	DESCRIPTION	DATE	DWN	APVD
			A	RELEASED	2FEB07	RG	PD



- PART NUMBER CHANGES AND OR DESIGN CHANGES AFFECTING ITEM INTERCHANGEABILITY REQUIRE PRIOR TYCO APPROVAL AND AUTHORIZATION BY REVISION TO THIS DRAWING.
- MATERIAL:  
 INSULATORS - THERMOPLASTIC, GLASS REINFORCED, COLOR: BLACK  
 UL94V-0 FLAMMABILITY RATED.  
 CONTACTS - COPPER ALLOY,
- FINISH:  
 CONTACTS - GOLD PLATE .76µm MIN. THK. OVER NICKEL  
 1.27µm MIN. THK  
 COMPLIANT TAILS, TIN, MATTE FINISH 1.02µm MIN. THK.  
 OVER NICKEL 1.27µm MIN THK.

4. CONTACT TYCO FOR RECOMMENDED PRESS TOOL DRAWING, FIX00229,

△ ITEMS PROVIDED TO THIS SPECIFICATION TO BE PERMANENTLY IDENTIFIED ON THE CONTAINER PER THE FOLLOWING IDENTIFIER LABEL



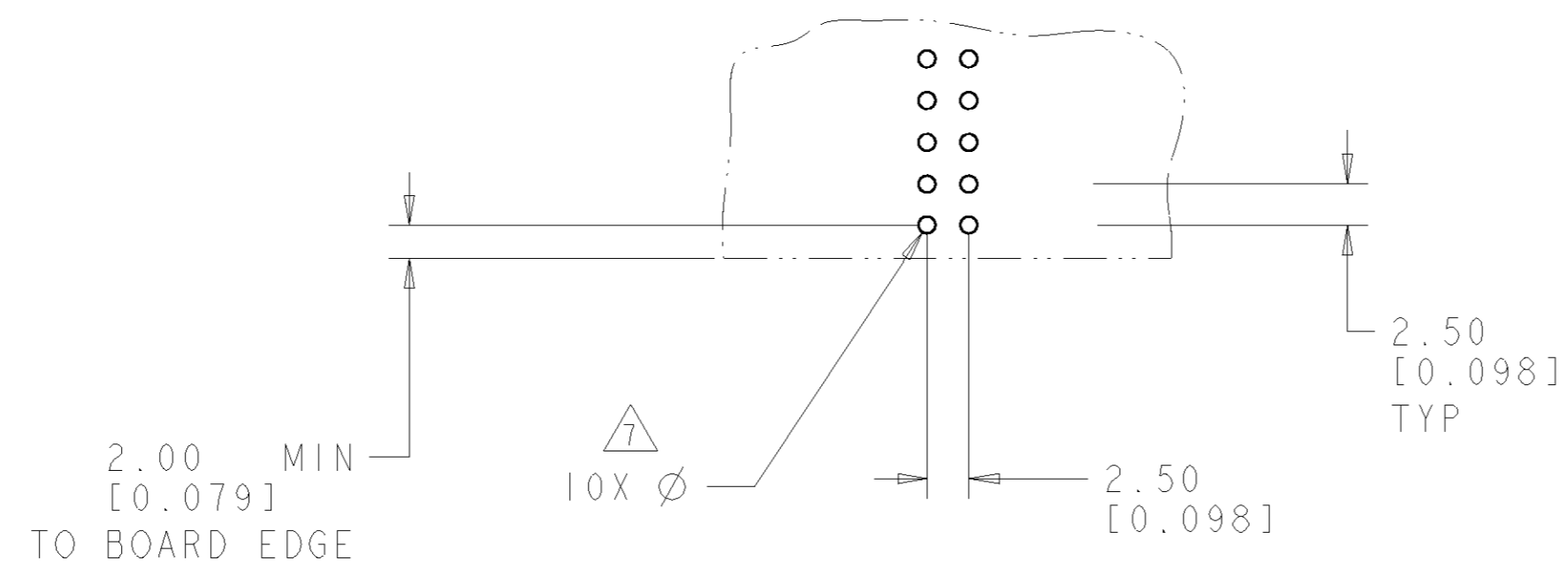
AS SHOWN	1766966-1
DESCRIPTION	PART NUMBER

THIS DRAWING IS A CONTROLLED DOCUMENT FOR TYCO ELECTRONICS CORPORATION. IT IS SUBJECT TO CHANGE AND THE CONTROLLING ENGINEERING ORGANIZATION SHOULD BE CONTACTED FOR THE LATEST REVISION.		DWN R. GRZYBOWSKI 2FEB07	<b>tyco</b> Tyco Electronics Harrisburg, PA 17105-3608 NAME STRAIGHT SOCKET CONNECTOR FP200 FLATPAQ SIZE CAGE CODE DRAWING NO RESTRICTED TO A200779C-1766966 - SCALE 3:1 SHEET 1 OF 3 REV A
DIMENSIONS: mm [INCHES]		CHK P. DAMATO 2FEB07	
TOLERANCES UNLESS OTHERWISE SPECIFIED:		APVD S. FLICKINGER 2FEB07	
0 PLC ± 1 PLC ±.5 [.020] 2 PLC ±.25 [.010] 3 PLC ± 4 PLC ± ANGLES ±.5 FINISH		PRODUCT SPEC - APPLICATION SPEC - WEIGHT - CUSTOMER DRAWING	

**ELCON FLATPAQ**

THIS DRAWING IS UNPUBLISHED. RELEASED FOR PUBLICATION 20  
 © COPYRIGHT 20 BY TYCO ELECTRONICS CORPORATION. ALL RIGHTS RESERVED.

LOC	DIST	REVISIONS			
P	LTR	DESCRIPTION	DATE	DWN	APVD
GP	00	-	SEE SHEET 1	-	-



PRINTED CIRCUIT LAYOUT  
 COMPONENT SIDE

CONNECTOR	CATALOG MODULE #	QTY	SIZE NO.	CONTACT QTY	MATING PIN	MAX. CURRENT (PER CONTACT)	CONTACT SPACING	VOLTAGE RATING
SOCKET	FP200	1	8	2	1.25 X 7.00 [.049 X .276]	35 amps	7.50 [.2953]	250 VOLTS

THIS DRAWING IS A CONTROLLED DOCUMENT FOR TYCO ELECTRONICS CORPORATION. IT IS SUBJECT TO CHANGE AND THE CONTROLLING ENGINEERING ORGANIZATION SHOULD BE CONTACTED FOR THE LATEST REVISION.

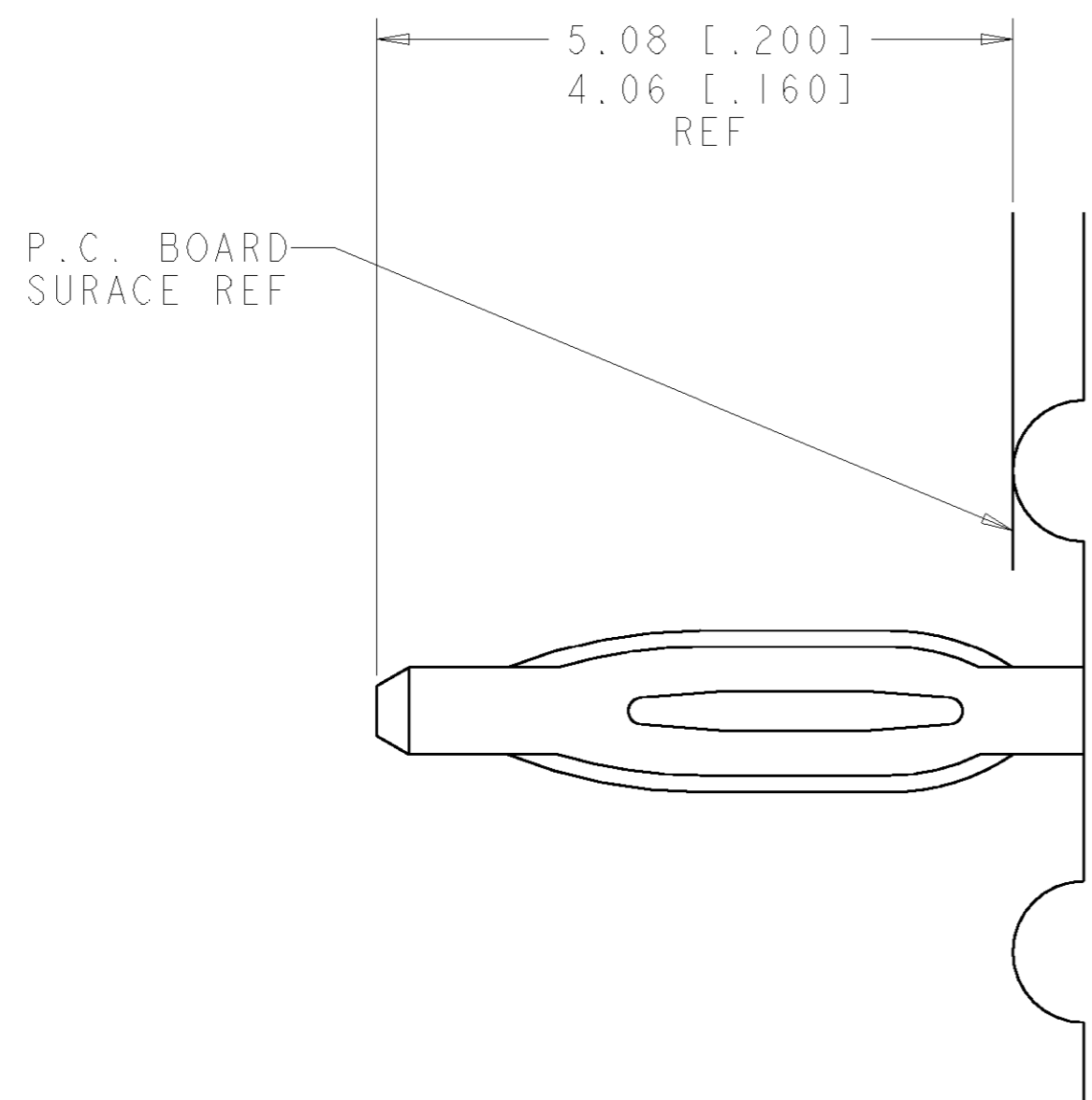
DWN R. GRZYBOWSKI 2FEB07	Tyco Electronics Harrisburg, PA 17105-3608
CHK P. DAMATO 2FEB07	
APVD S. FLICKINGER 2FEB07	
NAME STRAIGHT SOCKET CONNECTOR FP200 FLATPAQ	
DIMENSIONS: mm [INCHES]	TOLERANCES UNLESS OTHERWISE SPECIFIED:
0 PLC ±	1 PLC ±.5 [.020]
1 PLC ±.5 [.020]	2 PLC ±.25 [.010]
2 PLC ±.25 [.010]	3 PLC ±
3 PLC ±	4 PLC ±
4 PLC ±	ANGLES ±.5
MATERIAL	FINISH
CUSTOMER DRAWING	

SIZE	CAGE CODE	DRAWING NO.	RESTRICTED TO
A2	00779	C-1766966	-
SCALE	SHEET	OF	REV
3:1	2	3	A

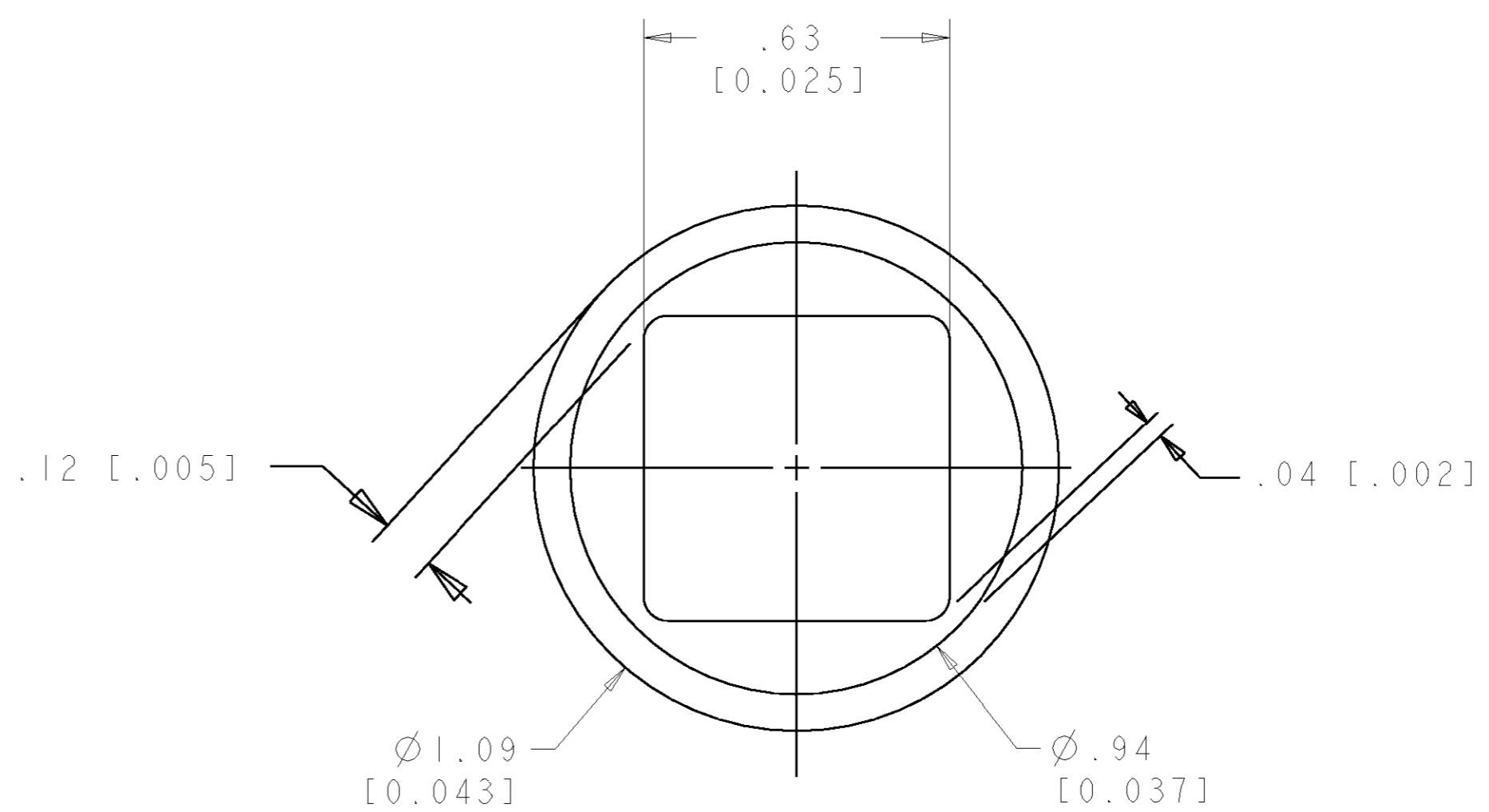
ELCON FLATPAQ

THIS DRAWING IS UNPUBLISHED. RELEASED FOR PUBLICATION 20  
 © COPYRIGHT 20 BY TYCO ELECTRONICS CORPORATION. ALL RIGHTS RESERVED.

LOC	DIST	REVISIONS			
P	LTR	DESCRIPTION	DATE	DWN	APVD
GP	00	-	SEE SHEET 1	-	-



6. COMPLIANT PIN DETAIL  
 SCALE 10 : 1  
 INSERTION/EXTRACTION FORCES  
 MAXIMUM PUSH IN: 133.3N PER PIN  
 [30 LBS]  
 MINIMUM PUSH OU: 44.4N PER PIN  
 [10 LBS]



7. SOLDER TERMINATION AREA  
 SCALE 40:1  
 RECOMMENDED PRINTED CIRCUIT HOLE  
 COMPLIANT PRESS FIT  
 DRILLED HOLE:  $\phi 1.15 [0.0453] \pm 0.013 [0.0005]$   
 COPPER PLATE:  $.025 [0.0010]$  TO  $.050 [0.0020]$   
 TIN PLATE:  $.0005 [0.000020]$  MIN. (PER SURFACE)

**ELCON** **FLATPAQ**

<small>THIS DRAWING IS A CONTROLLED DOCUMENT FOR TYCO ELECTRONICS CORPORATION          IT IS SUBJECT TO CHANGE AND THE CONTROLLING ENGINEERING ORGANIZATION          SHOULD BE CONTACTED FOR THE LATEST REVISION.</small>		DWN R. GRZYBOWSKI 2FEB07 CHK P. DAMATO 2FEB07 APVD S. FLICKINGER 2FEB07	<b>tyco</b> Tyco Electronics <b>Electronics</b> Harrisburg, PA 17105-3608
DIMENSIONS: mm [INCHES]	TOLERANCES UNLESS OTHERWISE SPECIFIED: 0 PLC $\pm$ 1 PLC $\pm .5 [0.020]$ 2 PLC $\pm .25 [0.010]$ 3 PLC $\pm$ 4 PLC $\pm$ ANGLES $\pm 5$ FINISH	PRODUCT SPEC - APPLICATION SPEC - WEIGHT -	NAME STRAIGHT SOCKET CONNECTOR FP200 FLATPAQ SIZE A200779 CAGE CODE G-1766966 DRAWING NO. 1766966 RESTRICTED TO -
MATERIAL -		CUSTOMER DRAWING	SCALE 3:1 SHEET 3 OF 3 REV A